


Keeping your business on the move

Demag drives

DEMAG
.....



We provide material flow, logistics and drive solutions of the highest standard and at peak performance rates – for all sectors and sizes of company.



From sub-assemblies to complete systems:

Demag drives keep your business on the move in many applications – reliably, safely and proven all over the world.

- Cranes and handling equipment
- Transport logistics
- Mechanical engineering
- Mobile architecture

AS A LEADING SUPPLIER OF INDUSTRIAL DRIVES, WE OFFER A COMPLETE RANGE OF PRODUCTS:

- Motors, gearboxes and geared motors
- Wheel systems
- Complete travel units
- Frequency inverters
- Power supply systems

All components are designed to match precisely, resulting in efficient integrated systems.

Our modular system enables you to implement solutions tailored to meet your needs quickly and cost-effectively using standardised sub-assemblies. This can save you valuable project engineering time and give you the certainty of reliable product configurations.

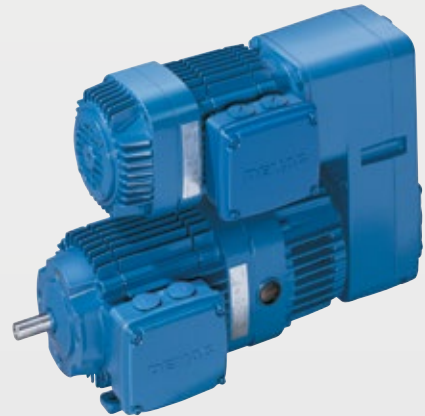
Demag modular drives – a perfect blend of proven components



Cylindrical-rotor brake motors



Conical-rotor brake motors



Microspeed drives



DCL-PRO POWER SUPPLY LINE

- Up to 200 A at 100% CDF
- Up to seven conductors



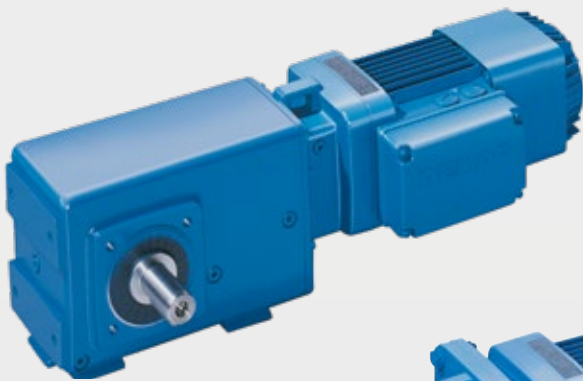
FREQUENCY INVERTERS

- Dedrive Compact STO – for motor outputs up to 110 kW
- Dedrive Pro 880 – for motor outputs up to 560 kW

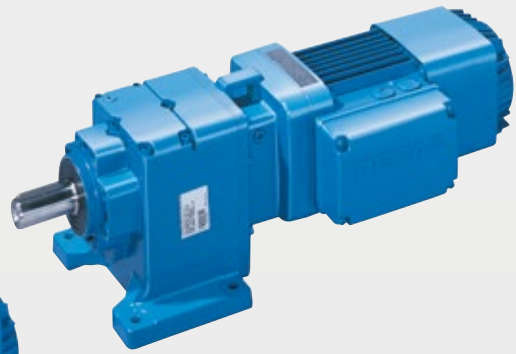


PROJECT DRAFTING TOOLS

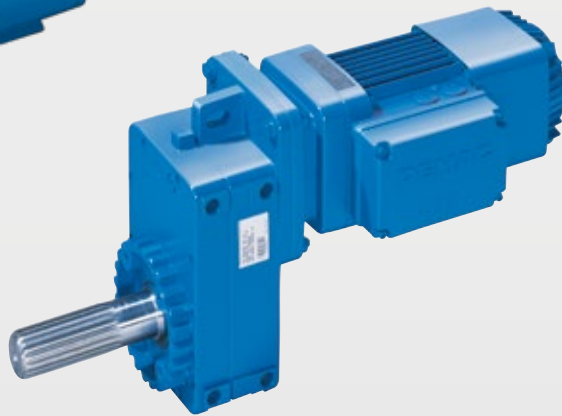
- Design software
- Online configuration
- Online ordering system



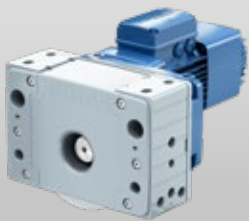
Angular geared motors



Helical geared motors



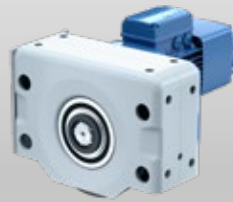
Offset geared motors



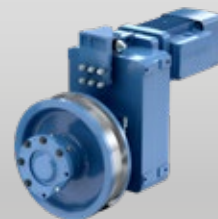
DRS wheel block system



LRS travel wheel system



RS wheel block system



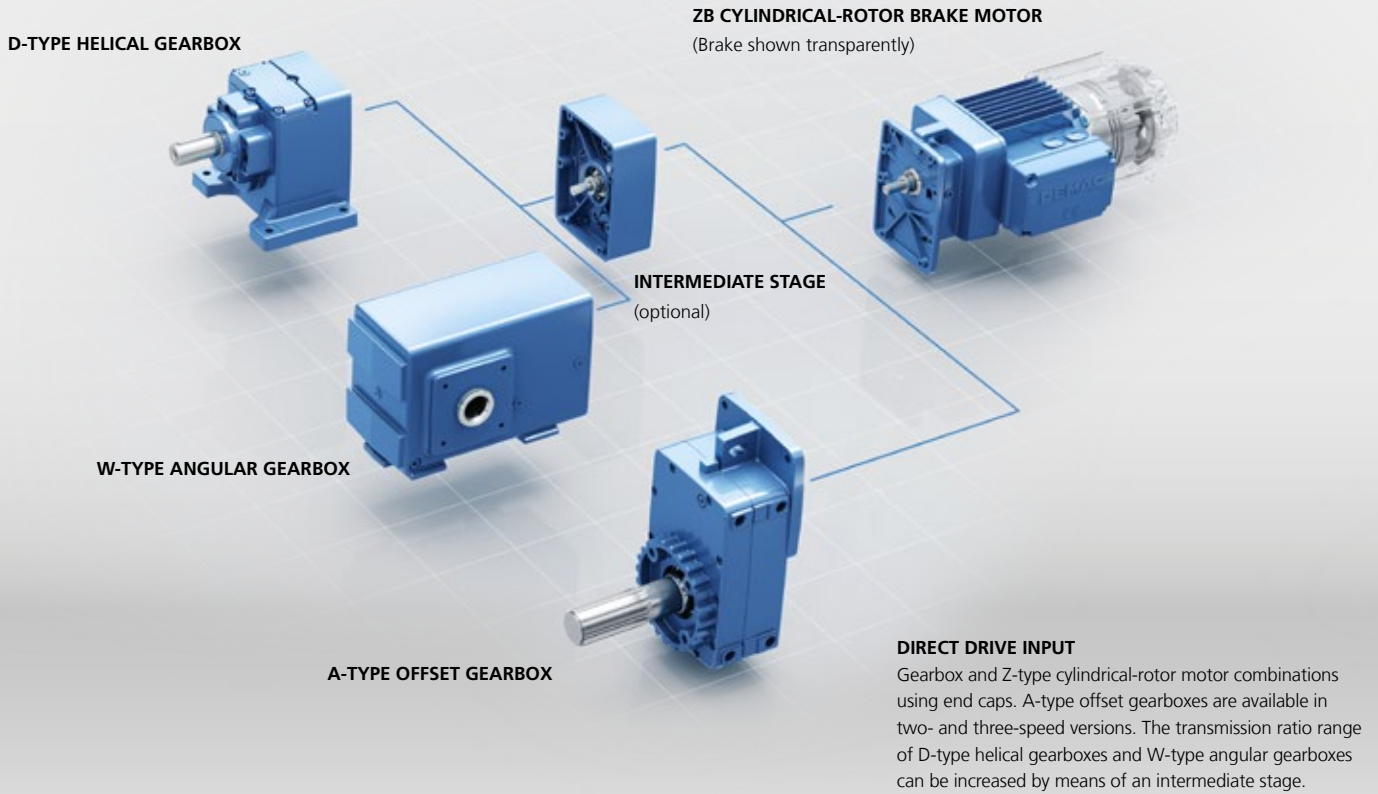
DWS wheel set

TRAVEL UNIT COMPONENTS

- Wheel loads up to 60 t
- For universal connection

Wheels/wheel blocks	Load capacity [t]															
	2.5	3.5	5	6.5	7	9	10	12	15	18	20	25	28	30	40	60
DRS	■		■			■		■		■		■		■	■	
RS		■	■				■		■		■					
LRS	■	■		■												
DWS														■	■	■

Geared motors – combined benefits



If you are looking for perfectly matched motors and gearboxes, our modular range of geared motors has been designed to meet your requirements:

- Offset gearboxes**
- Angular gearboxes**
- Helical gearboxes**

- A**
- W**
- D**

YOU CAN COMBINE THESE GEARBOXES WITH A NUMBER OF MOTOR UNITS:

- Cylindrical-rotor motors with a brake
 - For general applications
 - For travel applications
 - For continuous duty (energy efficient motor)
- Conical-rotor brake motors
 - For general applications
 - For travel applications

- ZB
- ZBA
- ZBF
- ZBE/ZBP

- KB
- KBA
- KBF

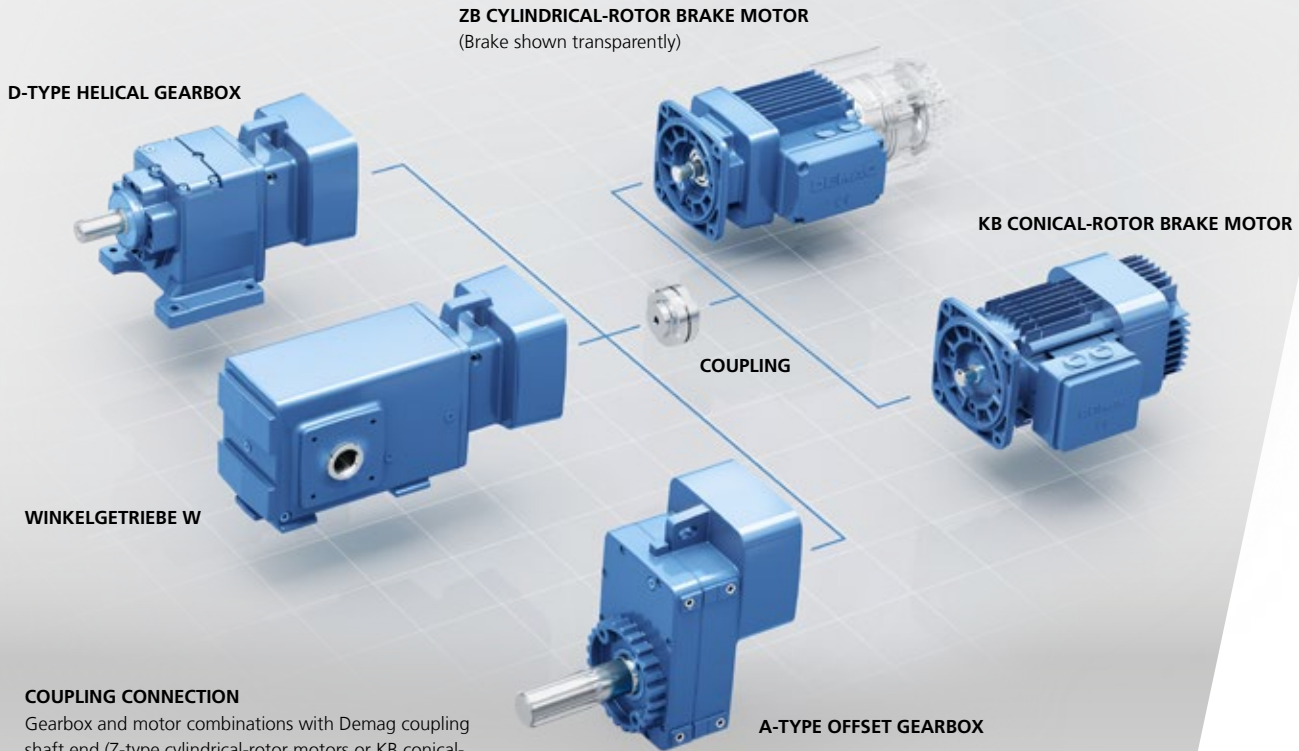
CHOOSE THE RIGHT BRAKE FOR THE JOB

To allow you to match the braking torque to the specific application, we have a number of versions to meet your requirements:

- ZB cylindrical-rotor brake motors offering a choice of two different brake sizes
- Additional fine-tuning by combining different numbers and types of brake springs
- KB conical-rotor brake motors for cases involving extremely high braking energy and start-stop frequency

HIGHEST PRECISION THANKS TO FG MICROSPEED DRIVES

With our microspeed drives, you can achieve large mechanical speed ratios of up to 500:1 between main and positioning speeds.



COUPLING CONNECTION

Gearbox and motor combinations with Demag coupling shaft end (Z-type cylindrical-rotor motors or KB conical-rotor brake motors) using intermediate flange and roller spider coupling. Since there is no oil present in the coupling housing, gearboxes can be fitted independently of the motor and the motors can be easily disassembled.

ZB	A
	<p>A General applications, intermittent duty</p> <p>E Continuous duty, efficiency class IE2</p> <p>P Continuous duty, efficiency class IE3</p> <p>F Travel applications</p>
<p>Z Cylindrical-rotor motor</p> <p>K Conical-rotor brake motor</p> <p>B Fitted with a brake (ZB, KB)</p>	

A	M	E
		<p>V Solid shaft with key</p> <p>E Solid shaft with involute splines</p> <p>H Hollow shaft with key</p> <p>K Splined hollow shaft</p> <p>B Hollow shaft with shrink disc</p>
	<p>U Universal type</p> <p>G Foot-mounted type</p> <p>F Flange-mounted type</p> <p>M Torque bracket arrangement – splined connection</p> <p>D Torque bracket arrangement – bolted flange connection</p>	
<p>A Offset gearbox</p> <p>W Angular gearbox</p> <p>D Helical gearbox</p>		

SIMPLY ADAPT OUR TECHNOLOGY TO YOUR NEEDS

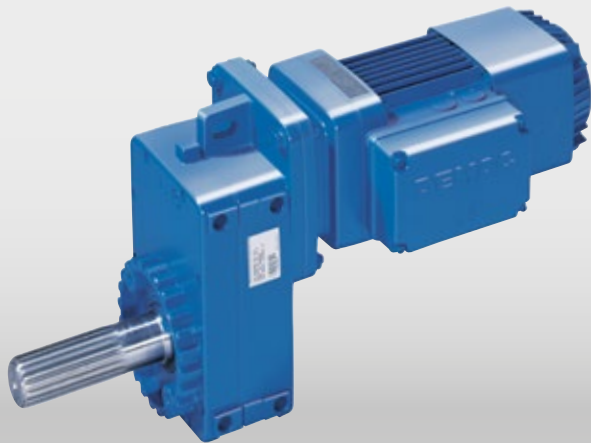
Our modular system enables a wide range of combinations in the standard versions. A wide choice of options and accessories rounds off the range. Mounting variants simplify the task of optimising the design solution. Rotary encoders and temperature detectors enable additional functions to be integrated.

YOU CAN COUNT ON OUR SUPPORT

In addition to offering our modular system, we support our customers with these tools:

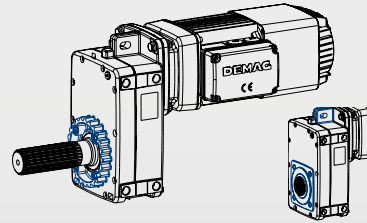
- An extensive catalogue of detailed information
- Software for calculating drives
- An online tool for configuring your drive solution
- Highly dedicated staff to advise you

A-type offset gearboxes – space-saving alternative

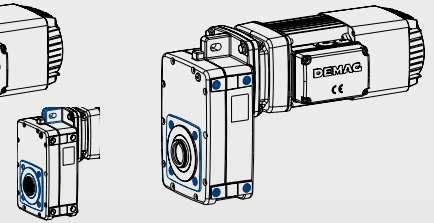


39392-1

MAXIMUM FLEXIBILITY: FIVE HOUSING DESIGNS

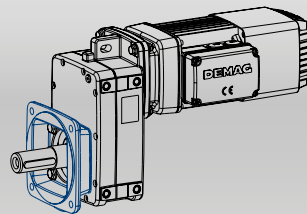


AM 10–40 torque bracket type

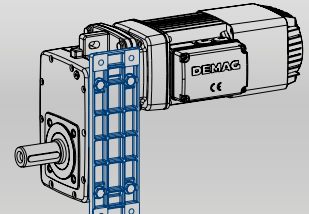


AD 40–80

AU 20–90 universal type



AF 20–90 flange-mounted type



AG 30–90 foot-mounted type

If you are looking for space-saving drive units, our A-type offset gearboxes have been designed specifically for that purpose:

- Wide range of transmission ratios
- Cost-effective solutions with high efficiency
- Practically orientated design

Thanks to these characteristics, they are the ideal choice for many travel applications.

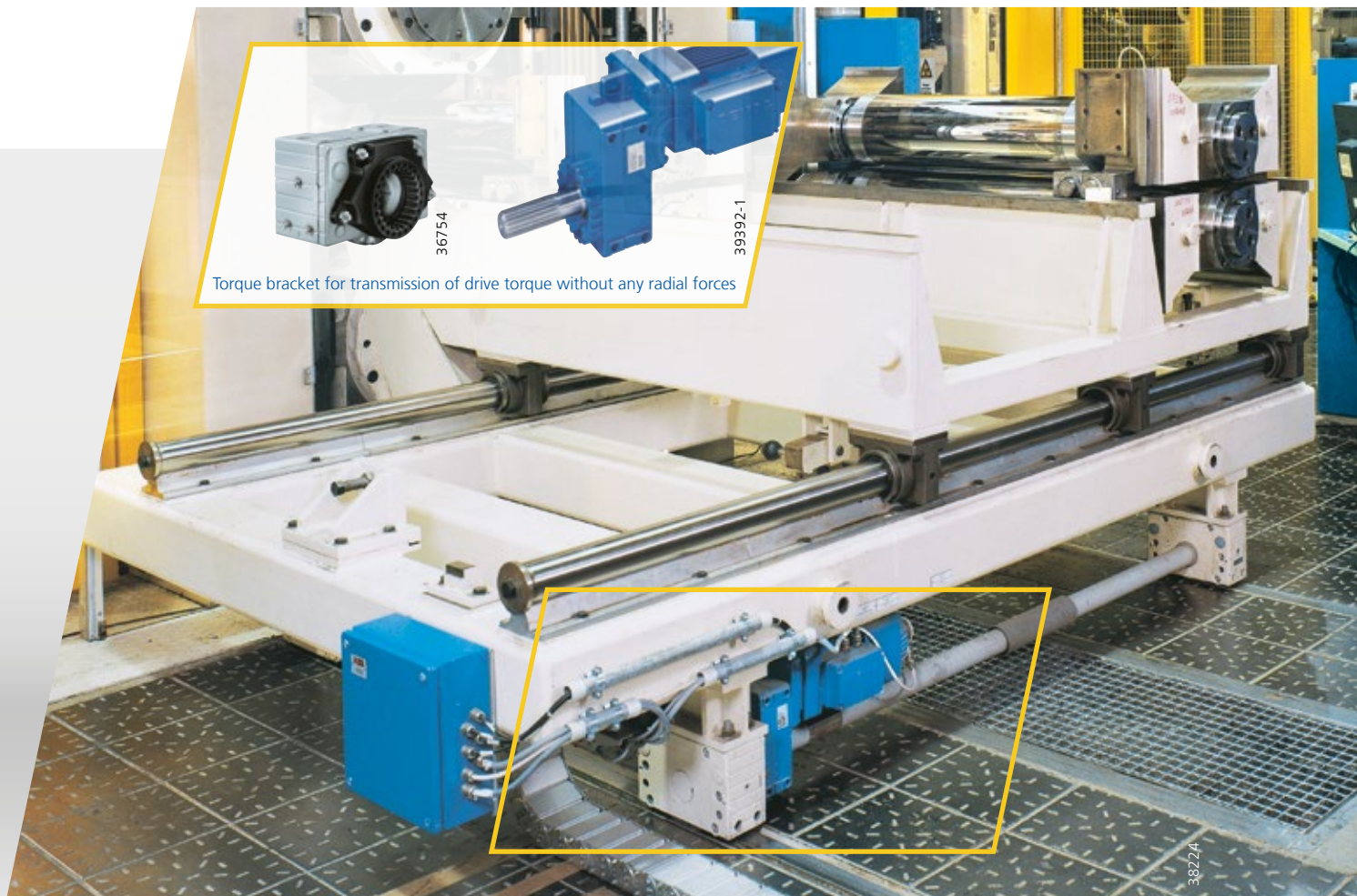
VARIABLE: THE DRIVE

The following drive shafts are available:

- Solid shaft
 - With a key
 - With involute splines (one or both sides)
- Hollow shaft
 - With a key
 - With involute splines
 - With shrink disc

Gearbox size	Output torque [Nm]	Transmission ratio (i)	
		2-stage	3-stage
A10	160	8.32–52.5	–
A20	250	6.21–28.0	31.7–123
A30	460	7.78–55.7	65.3–156
A40	820	8.78–61.6	73.8–256
A50	1,450	8.69–56.4	61.2–218
A60	2,600	8.91–54.7	62.6–297
A70	4,600	9.23–68.1	78.9–267
A80	8,200	9.89–68.9	80.3–281
A90	13,800	10.2–69.7	76.3–274

A10–A40: Aluminium housing
A50–A90: Grey cast housing



Offset geared motors: as a central drive arrangement with large ground clearance fitted to a tool-changing carriage. These systems are particularly efficient in connection with Demag wheel blocks and corresponding torque brackets.

ADVANTAGEOUS: THE DESIGN

Demag offset gearboxes feature large shaft centre distances, which benefits:

- Ground-level travel units with large ground clearance
- Central drive arrangements with shaft ends on both sides

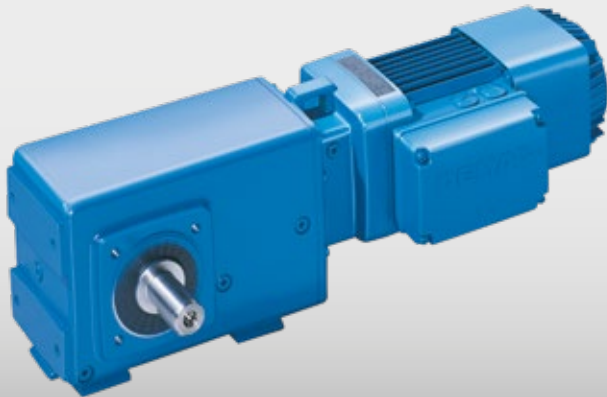
PROVEN: TORQUE TRANSMISSION

The AM torque bracket arrangement has been designed as a hollow-shaft gearbox with a torque ring integrated in the housing cover (AM 10-40). This torque ring transmits the drive torque without any radial forces to Demag DRS wheel blocks via a specially designed torque bracket. This sophisticated combination for travel drives with reversing operation is a preferred choice.

AT A GLANCE

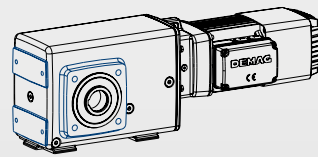
- Nine gearbox sizes
- Torques from 160 to 13,800 Nm
- Direct input or coupling connection
- Five housing designs
- Five shaft types
- Many more options and accessories (see page 18)

W-type angular gearboxes – compact solutions

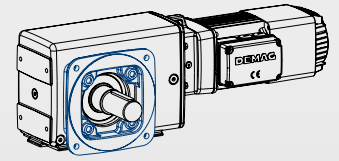


39389-1

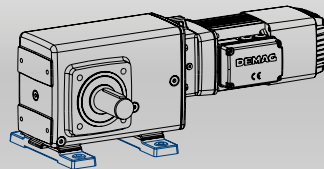
MAXIMUM FLEXIBILITY: FOUR HOUSING DESIGNS



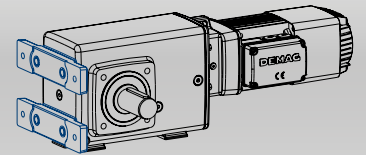
WU universal type



WF flange-mounted type



1 WG foot-mounted type –
bottom connection



2 WG foot-mounted type –
end connection

Our angular gearboxes are the ideal solution for compact designs. They enable travel motions to be provided, even when the distance from the rail is very restricted:

- Large torque range
- Wide range of transmission ratios

QUIET RUNNING: THE HYPOID GEARBOXES

Sizes W10 to W50 are designed as hypoid gearboxes:

- Very smooth running
- High transmission ratio in the hypoid stage

EFFICIENT: BEVEL GEARS

W60 to W100 gearboxes are bevel-wheel gearboxes:

- Excellent efficiency
- High transmission ratio thanks to three stages already in the basic design

Gearbox size	Output torque [Nm]	Transmission ratio (i)		
		2-stage	3-stage	4-stage
W10	120	5.34–100	–	–
W20	200	5.45–90.1	97.1–369	–
W30	330	3.73–90.1	107–369	–
W40	500	3.87–90.8	99.6–371	–
W50	800	4.94–94.3	99.9–386	–
W60	1,350	–	12.6–95.1	113–388
W70	2,500	–	13.7–102	113–399
W80	4,000	–	15.3–113	126–441
W90	7,000	–	15.9–111	126–434
W100	12,000	–	16.5–113	121–485

W10 – W40: Aluminium housing
W50 – W100: Grey cast housing



Angular geared motors for compact drive solutions.

VARIABLE: THE DRIVE

The following drive shafts are available:

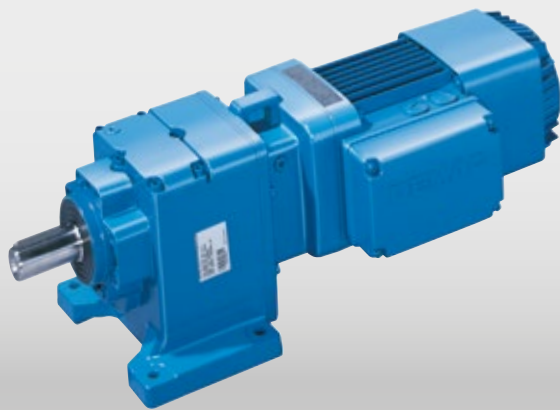
- Solid shaft
 - With a key (on right/left/both sides)
 - With involute splines (on right/left/both sides)
- Hollow shaft
 - With a key
 - With involute splines
 - With shrink disc

Versions with shaft ends on one or both sides:
In combination with the Demag DRS wheel block system, these options make it possible to create solutions with single or central drive arrangements.

AT A GLANCE

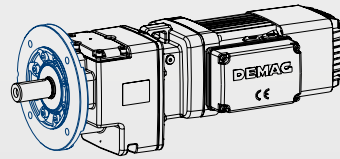
- Ten gearbox sizes
- Torques from 120 to 12,000 Nm
- W10 – W50 hypoid gearboxes for specially smooth running characteristics
- W60 – W100 bevel-wheel gearboxes, high efficiency rating
- Direct input or coupling connection
- Four housing types
- Five shaft types
- Many more options and accessories (see page 18)

D-type helical gearboxes – robust design

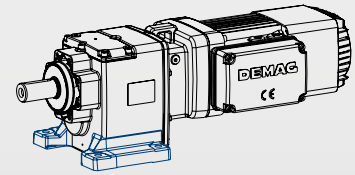


39381

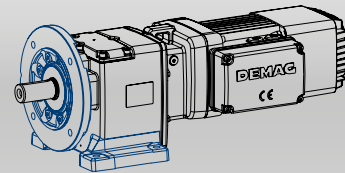
MAXIMUM FLEXIBILITY: THREE HOUSING DESIGNS



DF flange-mounted type



DG foot-mounted type



DU 11 – 41 foot or flange-mounted type

If you are looking for tough drive solutions, Demag D-type helical gearboxes are known for their resilience:

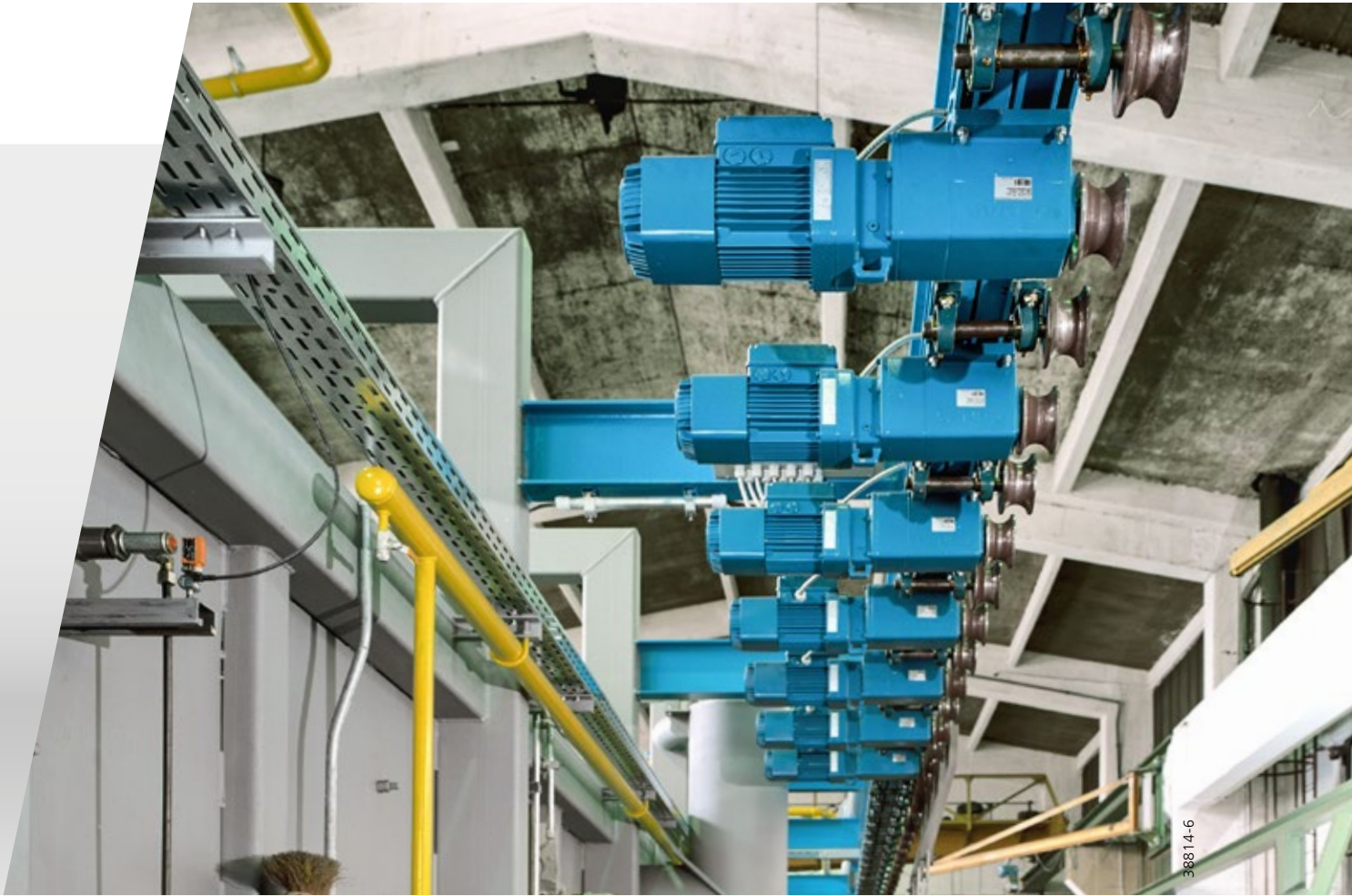
- Torques from 90 to 550 Nm
- Excellent efficiency rating thanks to helical gears
- High radial forces can be applied through the output shaft.

MADE PERFECTLY TO MEASURE: THE OUTPUT DRIVE

The output shaft is a solid shaft with a key, due to the coaxial design of the helical gearbox.

Gearbox size	Output torque [Nm]	Transmission ratio (i)	
		2-stage	3-stage
D11	90	2.88–66.5	–
D21	130	2.88–66.5	–
D31	200	3.23–61.6	66.4–253
D41	330	3.23–58.6	49.5–240
D50	550	2.78–61.4	71.9–251

D11 - D41: Aluminium housing
D50: Grey cast housing



D-type helical gearbox with coaxial design as a drive solution for a suspended conveyor system: the drive variant of choice for the suspended conveyor system shown here.

TAILORED TO YOUR NEEDS: HOUSING DESIGN

With sizes D11 to D41, it is possible to attach either flanges with internal threads or flanges with through-holes. A further special feature of this size is the combined foot/flange mounting.

AT A GLANCE

- Five gearbox sizes
- Torques from 90 to 550 Nm
- Direct input or coupling connection
- Three housing designs
- Output via solid shaft with a key
- Many more options and accessories (see page 18)

Z-type cylindrical-rotor motors for universal applications



If you are looking for motors that are able to meet the most varied drive technology needs reliably and efficiently, our Z-type cylindrical-rotor motors offer many advantages:

- Perfectly matched to our range of gearboxes
- Simple project engineering
- Best possible drive efficiency

THE RIGHT SOLUTION FOR EVERY TASK

- Our cylindrical-rotor motors with power ratings up to 45 kW are specially designed for
 - travel applications with inverter or direct line-fed drives.
 - Continuous duty, motor efficiency classes IE2 and IE3
- 2, 4, 6 and 8 pole (motor efficiency in line with IEC ratings)
- Pole-changing with two speeds
- Braked version (cylindrical-rotor brake motor)

41913

For outputs up to 45 kW: four-pole ZBA motors

Designation ZBA = braked	Output [kW] 60% CDF Temp. 60°C
ZBA 63 B4	0.18
ZBA 71 A4	0.25
ZBA 71 B4	0.37
ZBA 80 A4	0.55
ZBA 80 B4	0.75
ZBA 90 A4	1.1
ZBA 90 B4	1.5
ZBA 100 AL4	2.2
ZBA 100 B4	3
ZBA 112 A4	4
ZBA 132 AL4	5.5
ZBA 132 B4	7.5
ZBA 132 C4	9.5
ZBA 160 AL4	11
ZBA 160 B4	15
ZBA 180 A4	18.5
ZBA 180 B4	22
ZBA 200 A4	30
ZBA225 AL4	37
ZBA 225 B4	45

Efficiency ratings in line with IE2: four-pole ZBE motors

Designation ZBE = braked	Output [kW] 100% CDF Temp. 40°C	Efficiency [%]		
		η_{50}	η_{75}	η_{100}
ZBE 63 B4	0.18	66.5	71.2	72.1
ZBE 71 B4	0.25	69.5	74.0	74.9
ZBE 80 A4	0.55	78.0	78.3	78.1
ZBE 80 B4	0.75	79.3	82.2	79.6
ZBE 90 A4	1.1	79.8	82.3	81.4
ZBE 90 B4	1.5	82.1	83.4	82.8
ZBE 100 A4	2.2	83.8	84.9	84.3
ZBE 100 B4	3	83.6	86.4	85.5
ZBE 112 A4	4	86	87.4	86.6
ZBE 132 A4	5.5	87.2	88.3	87.7
ZBE 132 B4	7.5	87.5	90.3	88.7
ZBE 160 A4	11	89	90.8	89.8
ZBE 160 B4	15	89.2	91.8	90.6
ZBE 180 A4	18.5	89.3	92.4	91.2
ZBE 180 B4	22	89.2	92.3	91.6
ZBE 200 A4	30	88.4	92.8	92.3
ZBE 225 A4	37	90.8	93.2	92.7
ZBE 225 B4	45	92.2	93.5	93.1

Efficiency ratings in line with IE3: four-pole ZBP motors

Designation ZBP = braked	Output [kW] 100% CDF Temp. 40°C	Efficiency [%]		
		η_{50}	η_{75}	η_{100}
ZBP 80 B4	0.55	76.6	81.1	80.8
ZBP 90 A4	0.75	80.5	82.9	82.5
ZBP 90 B4	1.1	82.5	85.6	84.1
ZBP 100 A4	1.5	84.8	86.2	85.3
ZBP 100 B4	2.2	83.5	85.6	86.7
ZBP 112 A4	3	85.1	87.7	87.7
ZBP 132 A4	4	84.4	87.9	88.6
ZBP 132 B4	5.5	87.3	89.4	89.6
ZBP 160 A4	7.5	89.5	90.5	90.4
ZBP 160 B4	11	89.0	91.1	91.4
ZBP 180 A4	15	90.2	91.5	92.1

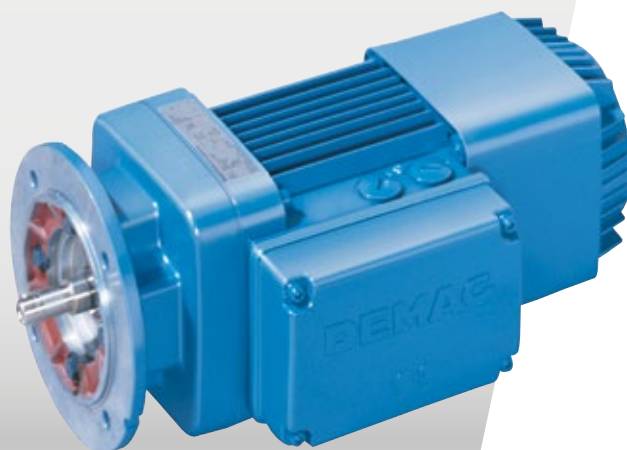
YOUR BRAKING NEEDS – CONFIGURED TO MATCH

Demag ZB cylindrical-rotor brake motors are equipped with disc brakes. When no voltage is applied, the DC brakes are automatically applied by spring tension.

OPTIMUM ADAPTATION TO YOUR APPLICATION:

- Choice of two brake sizes for each motor size
- Even finer setting of the brake torque by combining differing brake spring quantities and strengths
- Various control modules for switching times to match application requirements

Braking torque can be configured from 0.9 Nm (brake size B003) to 680 Nm (brake size B680).



39380-1

ZB cylindrical-rotor motor: Excellent braking characteristics with specifically configurable brake

Line-fed travel applications: 8/2-pole ZBF motors

Designation	Output [kW] 40/40% CDF Temp. 40°C
ZBF 63 A 8/2	0.06 / 0.25
ZBF 71 A 8/2	0.09 / 0.34
ZBF 80 A 8/2	0.13 / 0.5
ZBF 90 B 8/2	0.2 / 0.8
ZBF 100 A 8/2	0.29 / 1.2
ZBF 112 A 8/2	0.46 / 1.9
ZBF 132 A 8/2	0.72 / 2.9
ZBF 132 B 8/2	0.88 / 3.5

AT A GLANCE

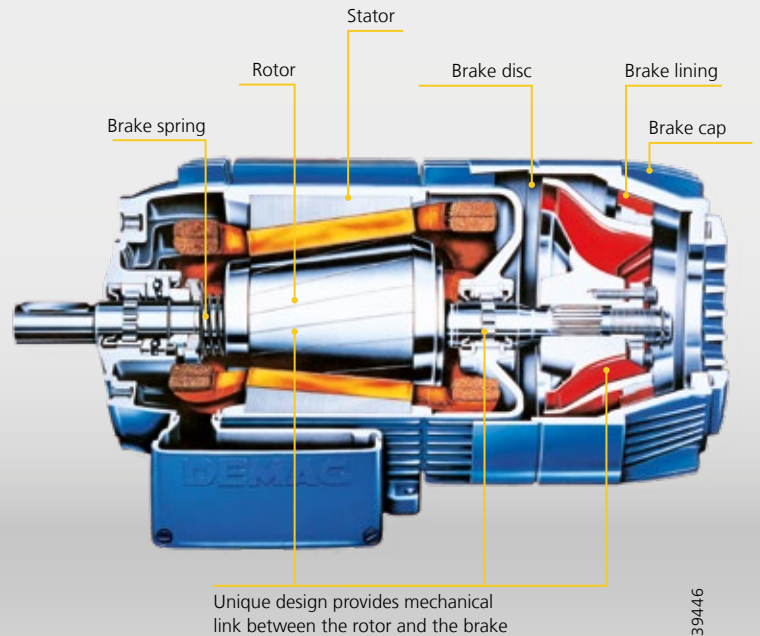
- Motor outputs up to 45 kW
- Number of poles: 2, 4, 6, 8 (depending on application)
- Pole-changing motors with two speeds
- With or without a brake
- Braking torques can be configured from 0.9 to 680 Nm
- ZBA/ZNA for travel applications with inverters
- ZBF for line-fed travel applications
- ZBE for inverter operation in energy efficiency class IE2
- ZBF for continuous duty in energy efficiency class IE3
- Many more options and accessories (see page 18)

KB conical-rotor brake motors – reliable partners



KB conical-rotor brake motors for particularly demanding braking action

39543-1



39446

Demag KB conical-rotor brake motors with outputs up to 55 kW and a cyclic duration factor of 40% operate on a unique braking principle:

- Simple
- Robust
- Reliable

SIMPLY BRILLIANT – BRILLIANTLY SIMPLE

The brake is mechanically linked to the rotor. When the motor is switched on, the conical design causes force to be applied in an axial direction, which pulls the rotor towards the drive end together with the brake disc.

THE ADVANTAGE OF SIMPLICITY

- No switching elements required for the brake: separate controller not needed
- Long brake lining service life: heat generated by the brake is effectively dissipated via the large surface area of the brake cover
- The brake disc is, at the same time, the fan: reduced housing length, good heat dissipation
- Two brake disc designs: light for KBA motors, heavy and with increased moment of inertia for KBF motors

ALWAYS THE RIGHT CONICAL ROTOR FOR YOUR APPLICATION

Alongside the 2, 4, 6 and 8 pole and the pole-changing versions, there are two special KB series:

- KBA for starting/stopping applications with short cycle times
- KBF for line-fed travel motions

In addition, there is the KBS motor, a version with special windings for standstill operation

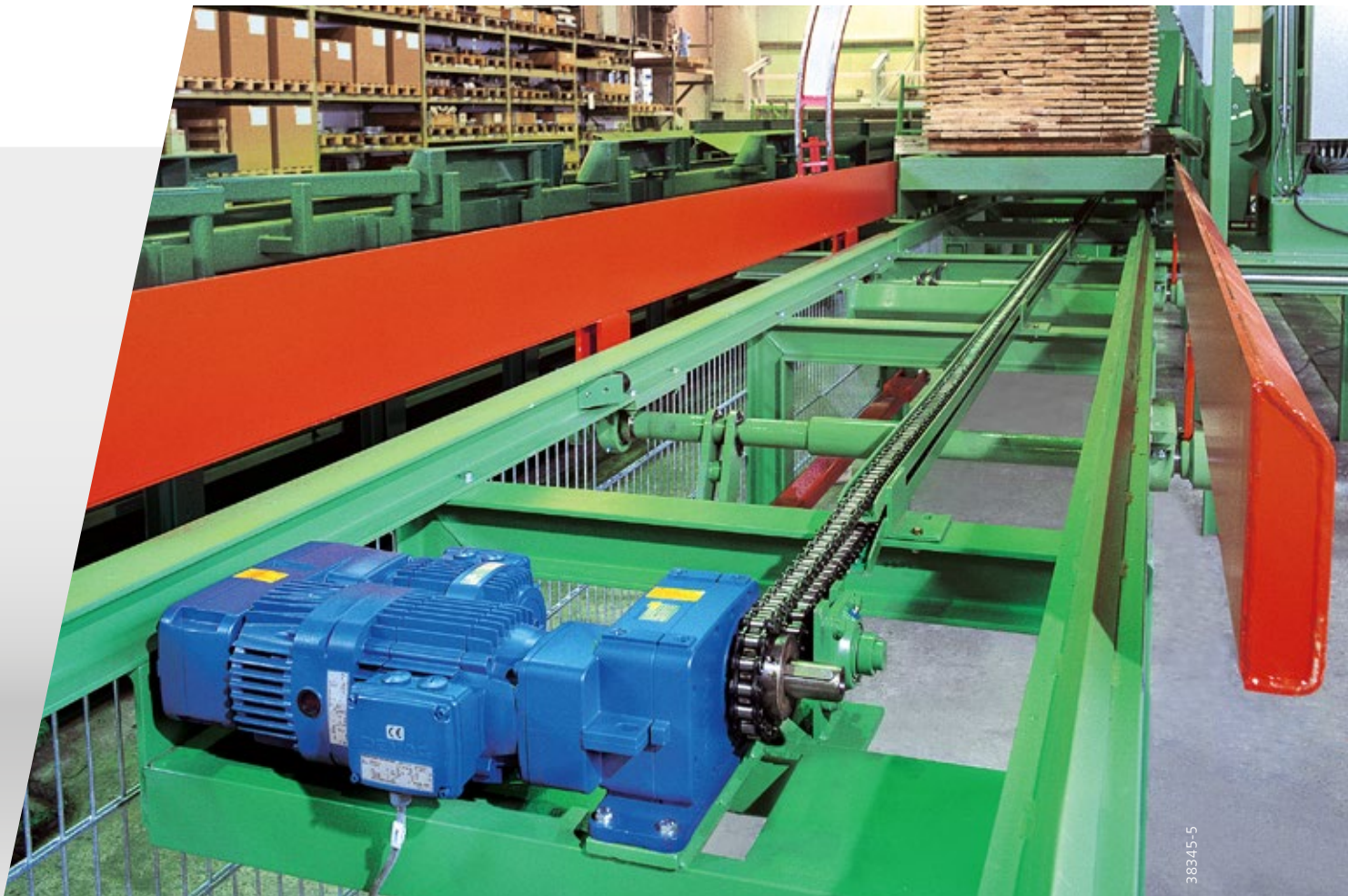
SYNCHRONISED OPERATION

The brake is released at exactly the same moment as the motor begins to rotate. When the motor is switched off, the brake is immediately applied again by spring force.

SUPERIOR BRAKING

Our KB motors are the superior choice wherever the highest demands are made on the brake:

- Designed for heavy-duty braking work
- Extremely high start-stop frequencies permitted
- Resistant to temporary overloads



FOR OUTPUTS UP TO 55 kW: FOUR-POLE KBA MOTORS

Designation	Output [kW] 40% CDF	Brake torque [Nm]
KBA 71 A4	0.48	6.7
KBA 71 B4	0.72	8.7
KBA 80 A4	1.05	14.5
KBA 80 B4	1.3	17.5
KBA 90 A4	1.65	23
KBA 90 B4	2.0	29
KBA 100 A4	2.4	38
KBA 100 B4	3	48
KBA 112 B4 A	3.6	56
KBA 112 B4	4.5	68
KBA 125 B4 A	6	82
KBA 125 B4	7.4	94
KBA 140 B4 A	9.6	130
KBA 140 B4	11.5	166
KBA 160 B4	20	215
KBA 180 A4	30	335
KBA 200 B4	40	430
KBA 225 B4	55	610

LINE-FED TRAVEL APPLICATIONS: 8/2-POLE KBF MOTORS

Designation	Output [kW] 40/40% CDF	Brake torque [Nm]
KBF 71 A 8/2	0.04 / 0.2	1.4
KBF 71 B 8/2	0.06 / 0.3	1.6
KBF 80 A 8/2	0.13 / 0.5	3.2
KBF 90 A 8/2	0.2 / 0.8	5.2
KBF 100 A 8/2	0.26 / 1.2	7.0
KBF 112 A 8/2	0.42 / 1.9	11.8
KBF 125 A 8/2	0.65 / 2.9	17
KBF 140 A 8/2	1.1 / 4.5	24.3

AT A GLANCE

- Motor output up to 55 kW at 40% CDF
- Number of poles: 2, 4, 6, 8
- Pole-changing motors with two speeds
- KBA drives for starting and stopping, KBF for line-fed travel operations
- Many more options and accessories (see page 18)

Comprehensive set of features and accessories

If you have a demanding application that needs more, even the standard versions of Demag drive technology products provide the opportunity to tailor functionality to meet your specific needs.

And, if you need a really individual solution, optional features and accessories enable you to match Demag products more closely to your task-specific operating conditions.

MOTORS

Options	Z cylindrical-rotor motor	KB conical rotor-brake motor
Winding protection		
- PTC thermistor	■	■
- Temperature detector	■	■
Rotary encoder		
- Integrated pulse generator	■	■
- External pulse generator	■	■
- Integrated external pulse generator	■	
Electric plug connection	■	■
Increased ingress protection	■	■
Anti condensation heating		
- Heating tape	■	■
- Via motor winding	■	
External fan		
- Built-in separately driven fan	■	
- External separately driven fan	■	■
- Heavy fan	■	
Heavy brake disc		■
Protective canopy/plate	■	■

GEARBOX

Options	A-type offset gearboxes	W-type angular gearboxes	D-type helical gearboxes
Torque brackets	■	■	
Foot rails/plates	■	■	
Mounting flange	■	■	■ *
Extended temperature range	■	■	■
Special paint finish	■	■	■
Special lubricants	■	■	■
Gearbox venting**	■	■	■
Combined gearbox***	■	■	■

* for sizes D11 – D41

** Standard from size 50

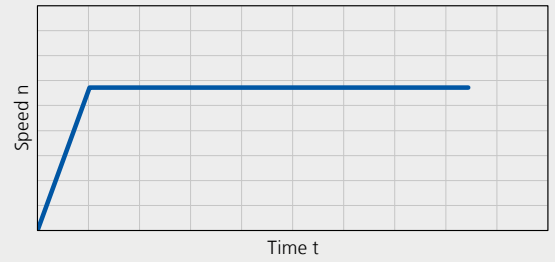
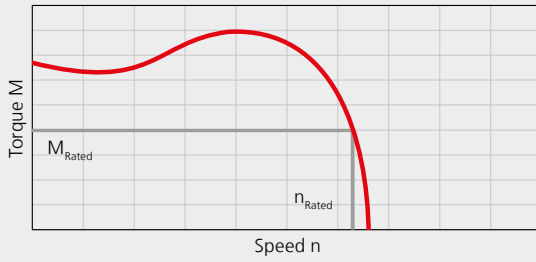
*** for particularly low speeds

BRAKES

Options	Z cylindrical-rotor motor	KB conical rotor-brake motor
Manual brake release	■	■
Brake function monitoring	■	
Brake adjustment monitoring	■	
Sealed/increased ingress protection	■	
Various control modules	■	
Enclosed brake compartment		■
Emergency-stop brake lining	■	

ZBP:
Efficient.

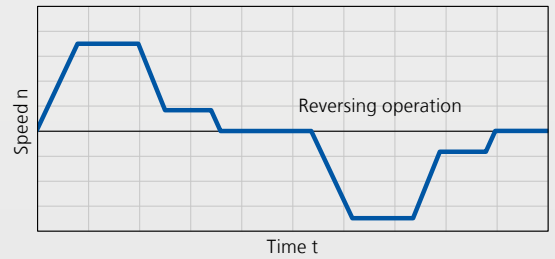
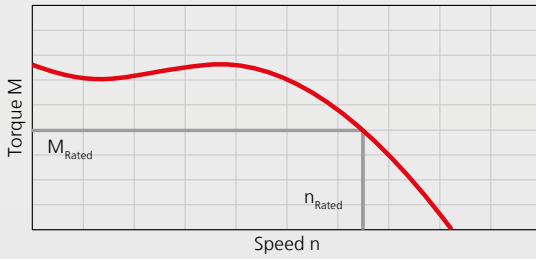
CONTINUOUS DUTY – THINK AND ACT ECONOMICALLY



The motors meet the requirements of motor efficiency class IE3 according to IEC standard 60034.

ZBF/KBF:
Smooth

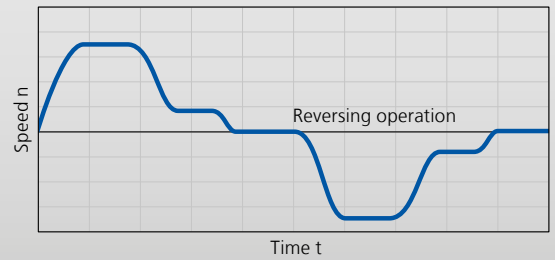
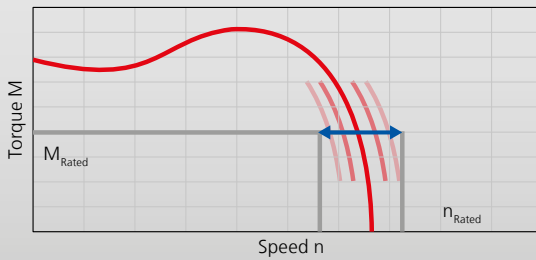
LINE-FED TRAVEL APPLICATIONS – GENTLE ACCELERATION AND DECELERATION



With their integrated flywheel mass, ZBF motors ensure particularly gentle acceleration and deceleration, while the KBF motor additionally accommodates extremely high braking energy.

ZBA/ZBE:
Dynamic

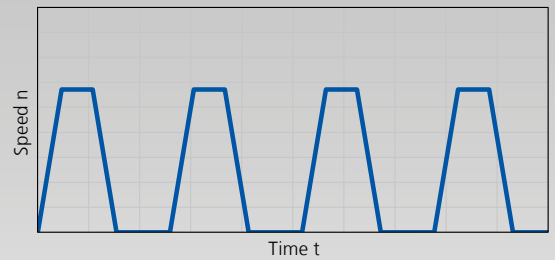
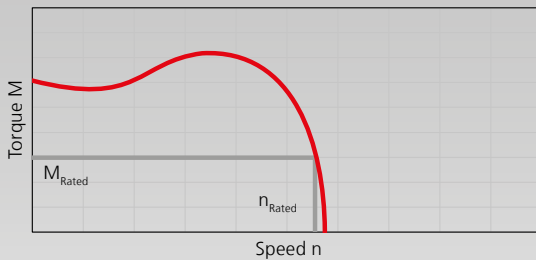
TRAVEL APPLICATIONS WITH AN INVERTER – DYNAMIC AND SMOOTH



Acceleration and deceleration actions are effected highly dynamically but also very smoothly, even in reversing duty.

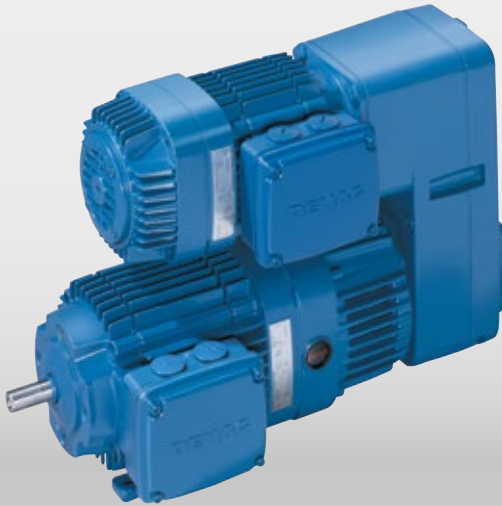
KBA:
Robust

STARTING/STOPPING OPERATION – EXACT INDEXING AND POSITIONING



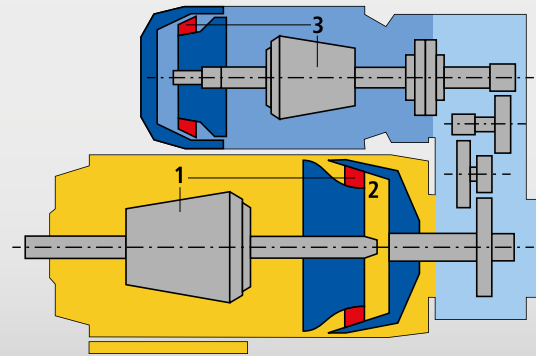
KBA motors are connected direct to a line supply or fed by frequency inverter. In line-fed operation, they are designed for extremely high start-stop frequencies and are robust in the event of short-term overloads.

FG microspeed drives – a special case



39388-1

FG MICROSPEED UNIT – SIMPLY A GOOD CHOICE



MICROSPEED OPERATION

- 1 Main motor in braked position
- 2 Main motor clutch engaged
- 3 Microspeed motor in running position

- Main motor
- Microspeed drives
- Gearbox
- Brake/clutch
- Brake disc/cover

FG microspeed drives permit a broad range of speed ratios in a robust, simple and efficient package

THE ALTERNATIVE

Demag FG microspeed drives enable:

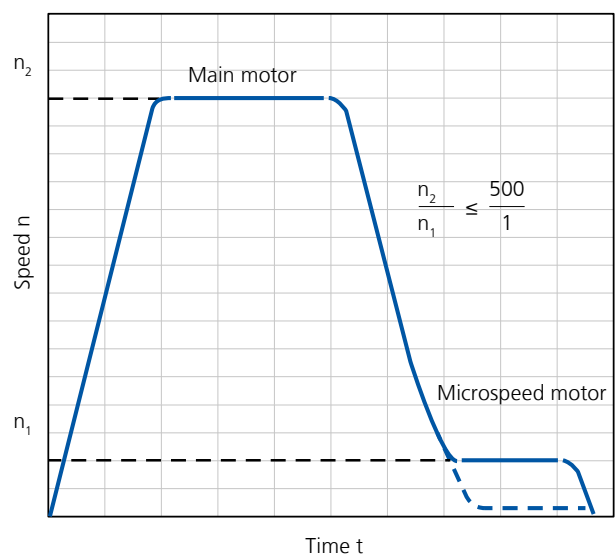
- Very high positioning accuracy
- High number of starts and stops
- Movement of large masses with short cycle times

Compared to pole-changing motors, Demag FG microspeed drives make it possible to achieve a significantly larger mechanical difference between the main and the positioning speeds. In this simple but effective way, speed ratios up to 500:1 can be achieved.

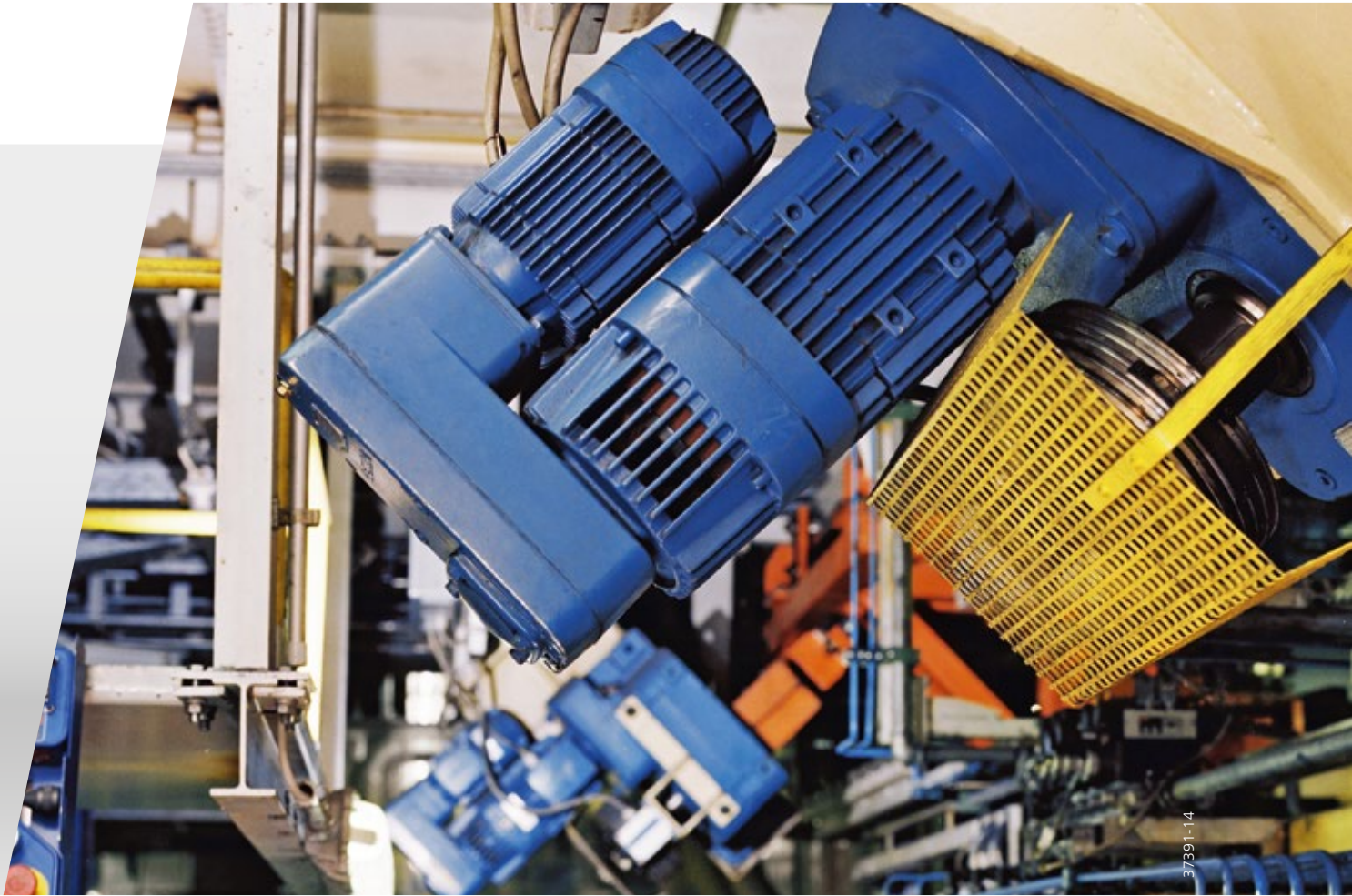
BENEFITS

FG drives are much less susceptible to vibrations, higher ambient temperatures and other influences than drives featuring electronic equipment. For many applications, this makes them the simple, robust and economical alternative to inverter-fed AC motors.

EXTREMELY FLEXIBLE: SPEED RATIOS UP TO 500:1



By selecting the motor and gear unit, the speed ratio can be set over a wide range.



FG microspeed drives: rugged, powerful, precise

THE DESIGN PRINCIPLE

FG microspeed drives consist of one main and one positioning motor linked together by a mechanical microspeed gearbox. The drive shaft runs either at the speed of the main motor or at the speed of the microspeed motor reduced by the transmission ratio of the intermediate gearbox.

The main motor is a conical-rotor brake motor – due to the axial motion of the rotor. The brake of the main motor also has the function of a clutch. The microspeed motor can be a KB or a Z motor – also for inverter operation.

The transmission ratios of the microspeed gearbox are available at fine increments from 4 to 125. So by selecting the right combination of motor speeds, you can determine the overall transmission ratios.

MAIN AND MICROSPEED MOTOR COMBINATION

Micro-speed gearbox	Main motor	Microspeed motor							
		KB	71	80	90	100	112	125	140
		Z	63 71	80 90 A	–	90 B 100	–	–	112 132
FG 06	KB 71	■							
	KB 80	■	■						
	KB 90	■	■						
	KB 100	■	○						
FG 08	KB 112 *)	■	■	■	■				
	KB 125	■	■	■	■				
	KB 140	■	■	■	○				
FG 10	KB 160	■	■	■	■	■	■	■	■
	KB 180	■	■	■	■	■	■	■	■
	KB 200	■	■	■	■	■	■	■	■
	KB 225	■	■	■	■	■	■	■	○

■ = U or Z mounting arrangement

○ = Z mounting arrangement

*) Only as self-ventilated version

Tools and services – to meet your needs



If you are looking for a partner to provide you with advice and assistance – whichever drive solution you develop, we will support you. From your desk, you can access the tools we have made available.

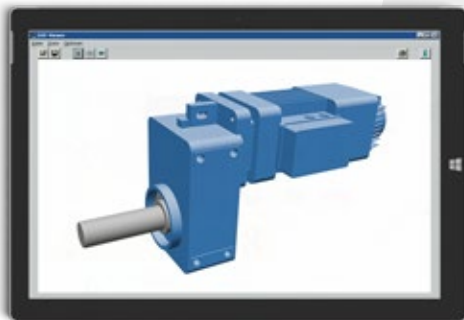
GEARED MOTOR CATALOGUE – OPEN FOR YOUR NEEDS

This catalogue presents our entire range of geared motors in detail on over 350 pages.

Take advantage of the selection tables to find detailed technical data and add optional equipment and accessories.

Our specialised sales engineers in your region are available for further project consulting. Your direct contact:

info@demagcranes.com



3D product geometries

DRIVE DESIGNER – OPEN FOR YOUR IDEAS

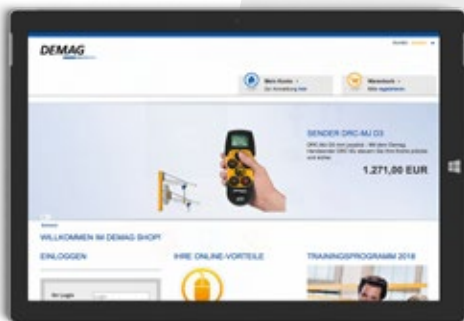
Use Drive Designer to configure geared motors and wheel systems online. You can quickly:

- Select and configure drives
- Transfer drawings to your design
- View electrical circuit diagrams
- Download the drives' technical data

Drive Designer provides a high degree of convenience:

- Design support by means of 2D and 3D geometries in all standard file formats
- Rapid access to technical specifications
- Circuit diagrams for the motors you select
- Display of delivery times
- Transfer of your selection to the Demag Shop system

www.drives.demag-designer.com



Single product selection

DEMAG SHOP – OPEN FOR BUSINESS

After registering online, you will be sent the access details for the Demag Shop system. In our Shop system, you can find any necessary

- prices
- stock availability and
- delivery times

relating to the products you need. Order direct and arrange delivery times and shipping method – provided the parts are in stock. You are immediately sent an order confirmation with our order number.

You can, of course, also use the parcel tracking system online in our Demag Shop system even if you order the conventional way.

www.demag-shop.com



Drive calculation with CalDrive

CALDRIVE – OPEN FOR YOUR REQUIREMENTS

You can use CalDrive software to specify suitable drives from the physical parameters you enter. The basic characteristics and data of Demag geared motors and wheel blocks are included in CalDrive.

Based on these details, CalDrive will suggest a number of possible solutions for combining the components. The CalDrive software is available at no charge from the internet.



40529-4-2

DEMAG CRANES & COMPONENTS GMBH

Wetter site

Ruhrstraße 28

58300 Wetter, Germany

E info@demagcranes.com

T +49 2335 92-0

F +49 2335 92-7676

www.demagcranes.com

DEMAG